



Datenblatt - Fiche technique - Data sheet

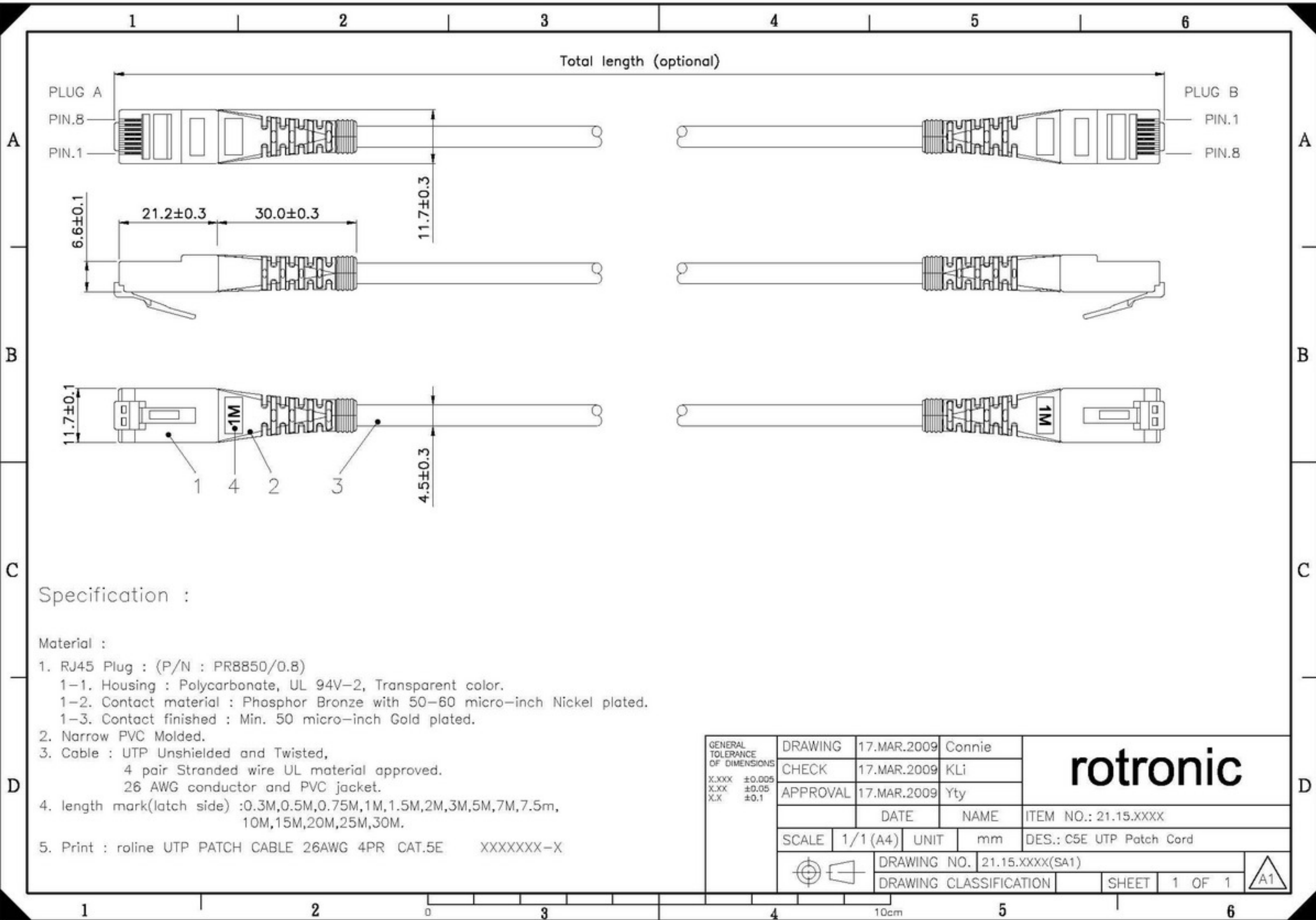
21.15.0522



ROLINE UTP-Patchkabel konf. Kat. 5e, gelb, 0,5 m

Cordon ROLINE Cat.5e UTP confectionné, jaune, 0,5 m

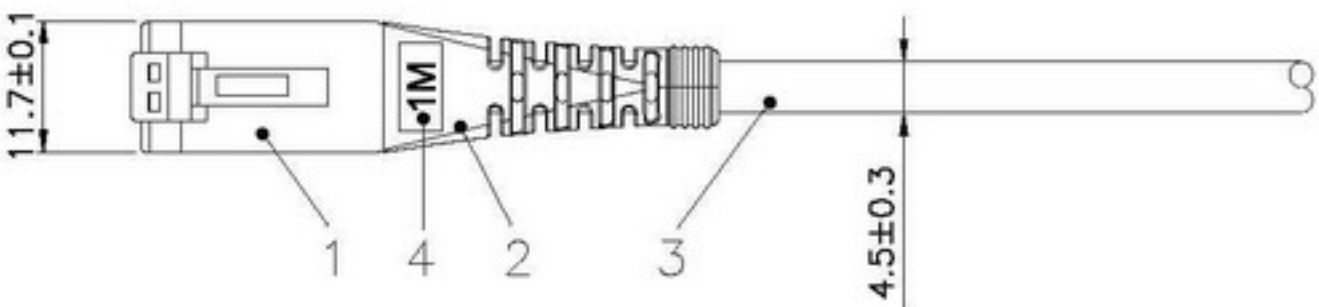
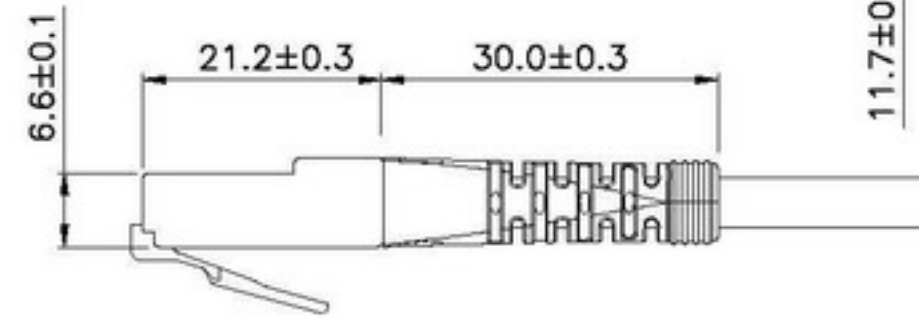
ROLINE UTP Patch Cord Cat.5e, yellow, 0.5 m



Total length (optional)

PLUG A
PIN.8
PIN.1

PLUG B
PIN.1
PIN.8



Specification :

Material :

1. RJ45 Plug : (P/N : PR8850/0.8)
 - 1-1. Housing : Polycarbonate, UL 94V-2, Transparent color.
 - 1-2. Contact material : Phosphor Bronze with 50-60 micro-inch Nickel plated.
 - 1-3. Contact finished : Min. 50 micro-inch Gold plated.
2. Narrow PVC Molded.
3. Cable : UTP Unshielded and Twisted,
4 pair Stranded wire UL material approved.
26 AWG conductor and PVC jacket.
4. length mark(latch side) :0.3M,0.5M,0.75M,1M,1.5M,2M,3M,5M,7M,7.5m,
10M,15M,20M,25M,30M.
5. Print : roline UTP PATCH CABLE 26AWG 4PR CAT.5E XXXXXX-X

| | | | | | |
|---|----------|-----------------------------|--------|----------------------|--------------------------|
| GENERAL TOLERANCE OF DIMENSIONS X.XXX ±0.005 X.XX ±0.05 X.X ±0.1 | DRAWING | 17.MAR.2009 | Connie | rotronic | |
| | CHECK | 17.MAR.2009 | KLi | | |
| | APPROVAL | 17.MAR.2009 | Yty | | |
| | | DATE | NAME | ITEM NO.: 21.15.XXXX | |
| | SCALE | 1/1 (A4) | UNIT | mm | DES.: C5E UTP Patch Cord |
| | | DRAWING NO. 21.15.XXXX(SA1) | | | |
| | | DRAWING CLASSIFICATION | | SHEET | 1 OF 1 |



Remark#

| | | | | | |
|------------|-------------------------------------|------------|--|------------|---|
| 21.15.0421 | ROLINE UTP Cable Cat.5e,red,10m | 21.15.0525 | ROLINE UTP Cable Cat.5e,black,0.5m | 21.15.0620 | ROLINE UTP Cable Cat.5e,cross,gre,20m |
| 21.15.0422 | ROLINE UTP Cable Cat.5e,yellow,10m | 21.15.0531 | ROLINE UTP Cable Cat.5e,red,1.0m | 21.15.0621 | ROLINE UTP Cable Cat.5e,cross,red,0.5m, |
| 21.15.0423 | ROLINE UTP Cable Cat.5e,green,10m | 21.15.0532 | ROLINE UTP Cable Cat.5e,yellow,1.0m | 21.15.0631 | ROLINE UTP Cable Cat.5e,cross,red,1.0m |
| 21.15.0424 | ROLINE UTP Cable Cat.5e,blue,10m | 21.15.0533 | ROLINE UTP Cable Cat.5e,green,1.0m | 21.15.0641 | ROLINE UTP Cable Cat.5e,cross,red,2.0m |
| 21.15.0425 | ROLINE UTP Cable Cat.5e,black,10m | 21.15.0534 | ROLINE UTP Cable Cat.5e,blue,1.0m | 21.15.0651 | ROLINE UTP Cable Cat.5e,cross,red,3.0m |
| 21.15.0431 | ROLINE UTP Cable Cat.5e,red,15m | 21.15.0535 | ROLINE UTP Cable Cat.5e,black,1.0m | 21.15.0661 | ROLINE UTP Cable Cat.5e,cross,red,5.0m |
| 21.15.0432 | ROLINE UTP Cable Cat.5e,yellow,15m | 21.15.0541 | ROLINE UTP Cable Cat.5e,red,2.0m | 21.15.0671 | ROLINE UTP Cable Cat.5e,cross,red,10m |
| 21.15.0433 | ROLINE UTP Cable Cat.5e,green,15m | 21.15.0542 | ROLINE UTP Cable Cat.5e,yellow,2.0m | 21.15.0681 | ROLINE UTP Cable Cat.5e,cross,red,15m |
| 21.15.0434 | ROLINE UTP Cable Cat.5e,blue,15m | 21.15.0543 | ROLINE UTP Cable Cat.5e,green,2.0m | 21.15.0691 | ROLINE UTP Cable Cat.5e,cross,red,20m |
| 21.15.0435 | ROLINE UTP Cable Cat.5e,black,15m | 21.15.0544 | ROLINE UTP Cable Cat.5e,blue,2.0m | | |
| 21.15.0441 | ROLINE UTP Cable Cat.5e,red,20m | 21.15.0545 | ROLINE UTP Cable Cat.5e,black,2.0m | | |
| 21.15.0442 | ROLINE UTP Cable Cat.5e,yellow,20m | 21.15.0551 | ROLINE UTP Cable Cat.5e,red,3.0m | | |
| 21.15.0443 | ROLINE UTP Cable Cat.5e,green,20m | 21.15.0552 | ROLINE UTP Cable Cat.5e,yellow,3.0m | | |
| 21.15.0444 | ROLINE UTP Cable Cat.5e,blue,20m | 21.15.0553 | ROLINE UTP Cable Cat.5e,green,3.0m | | |
| 21.15.0445 | ROLINE UTP Cable Cat.5e,black,20m | 21.15.0554 | ROLINE UTP Cable Cat.5e,blue,3.0m | | |
| 21.15.0500 | ROLINE UTP Cable Cat.5e,gre,0.5m | 21.15.0555 | ROLINE UTP Cable Cat.5e,black,3.0m | | |
| 21.15.0501 | ROLINE UTP Cable Cat.5e,gre,1.0m | 21.15.0561 | ROLINE UTP Cable Cat.5e,red,5.0m | | |
| 21.15.0502 | ROLINE UTP Cable Cat.5e,gre,2.0m | 21.15.0562 | ROLINE UTP Cable Cat.5e,yellow,5.0m | | |
| 21.15.0503 | ROLINE UTP Cable Cat.5e,gre,3.0m | 21.15.0563 | ROLINE UTP Cable Cat.5e,green,5.0m | | |
| 21.15.0505 | ROLINE UTP Cable Cat.5e,gre,5.0m | 21.15.0564 | ROLINE UTP Cable Cat.5e,blue,5.0m | | |
| 21.15.0507 | ROLINE UTP Cable Cat.5e,gre,7.0m | 21.15.0565 | ROLINE UTP Cable Cat.5e,black,5.0m | | |
| 21.15.0510 | ROLINE UTP Cable Cat.5e,gre,10m | 21.15.0600 | ROLINE UTP Cable Cat.5e,cross,gre,0.5m | | |
| 21.15.0515 | ROLINE UTP Cable Cat.5e,gre,15m | 21.15.0601 | ROLINE UTP Cable Cat.5e,cross,gre,1.0m | | |
| 21.15.0519 | ROLINE UTP Cable Cat.5e,gre,20m | 21.15.0602 | ROLINE UTP Cable Cat.5e,cross,gre,2.0m | | |
| 21.15.0521 | ROLINE UTP Cable Cat.5e,red,0.5m | 21.15.0603 | ROLINE UTP Cable Cat.5e,cross,gre,3.0m | | |
| 21.15.0522 | ROLINE UTP Cable Cat.5e,yellow,0.5m | 21.15.0605 | ROLINE UTP Cable Cat.5e,cross,gre,5.0m | | |
| 21.15.0523 | ROLINE UTP Cable Cat.5e,green,0.5m | 21.15.0610 | ROLINE UTP Cable Cat.5e,cross,gre,10m | | |
| 21.15.0524 | ROLINE UTP Cable Cat.5e,blue,0.5m | 21.15.0615 | ROLINE UTP Cable Cat.5e,cross,gre,15m | | |